

DS-2CD2F52F-I (S) 5MP CMOS ICR Infrared Network Dome Camera



Key Features

- Up to 5 megapixel high resolution
- Auto-electronic shutter
- Dual video streams
- 2.8mm/4mm/6mm fixed lens
- Digital Wide Dynamic Range
- 3D Digital Noise Reduction
- Support on-board storage, up to 128GB
- DC12V & PoE
- Up to 10m IR range
- pan and tilt
- Reset button
- -S: Audio/Alarm IO
- Mobile Monitoring via Hik-connect or iVMS-4500



Specifications

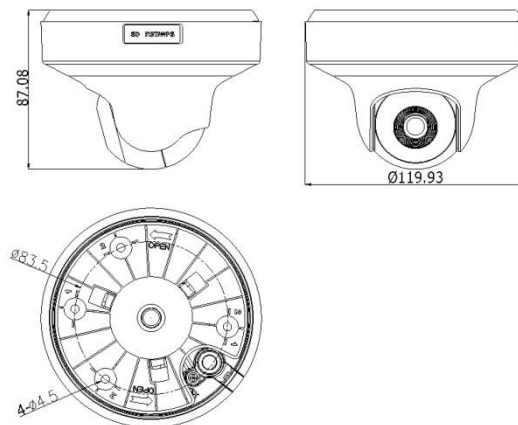
Camera	
Image Sensor	1/3" Progressive Scan CMOS
Min. Illumination	0.01Lux @ (F1.2, AGC ON), 0 Lux with IR, 0.028Lux @ (F2.0, AGC ON) ,0 Lux with IR
Shutter Speed	1/3 s to 1/100,000 s
Lens	2.8mm, 4mm, 6mm @ F2.0 angle of view: 86°(2.8mm), 70°(4mm), 43.3°(6mm)
Lens Mount	M12
Day & Night	IR cut filter with auto switch
DNR	3D DNR
Wide Dynamic Range	DWDR
Angle Adjustment	Pan: -90° - 90°, Tilt: 0° - 75°
Compression Standard	
Video Compression	H.264+/H.264 / MJPEG
H.264 Type	Main Profile
Video Bit Rate	256 Kbps ~ 16 Mbps
Dual Streams	Support
Image	
Max. Resolution	2560×1920
Main Stream	50Hz: 20fps (2560×1920), 25fps (2048x1536), 25fps(1920×1080), 25fps(1280×720) 60Hz: 20fps (2560×1920), 30fps (2048x1536), 30fps(1920×1080), 30fps(1280×720)
Sub Stream	50Hz: 25fps (352×288, 640x360) 60Hz: 30fps (352×240, 640x360)
Others	Saturation, Brightness, Contrast adjustable by client software or web browser, Mirror, BLC, ROI, Dual Stream, Anti-Flicker, Privacy Mask,
Network	
Network Storage	NAS (Support NFS,SMB/CIFS), ANR
Detection	Intrusion Detection, Line Crossing Detection, Motion Detection, Dynamic Analysis
Alarm Trigger	Tampering Alarm, HDD Full, HDD Error, Network Disconnected, IP Address Conflicted, Illegal login
Protocols	TCP/IP, UDP, ICMP, HTTP, HTTPS, FTP, DHCP, DNS, DDNS, RTP, RTSP, RTCP, PPPoE, NTP, UPnP, SMTP, SNMP, IGMP, 802.1X, QoS, IPv6, Bonjour
Standard	ONVIF (PROFILE S, PROFILE G), PSIA, CGI, ISAPI
General Function	Password Protection, Privacy Mask, IP Address Filtering, Anonymous Access
Interface	
Communication Interface	1 RJ45 10M/100M Ethernet port
On-board Storage	Built-in Micro SD/SDHC/SDXC slot, up to 128GB
Alarm Interface	1x alarm I/O *only for -S models
Audio Interface	1x audio I/O *only for -S models
Reset	Yes

General	
Operating Conditions	-10 °C – 40 °C (14 °F – 104 °F), Humidity 95% or less (non-condensing)
Power Supply	DC12V ± 25%, PoE (802.3af Class3)
Power Consumption	Max. 5 W, Max. 9W with pan and tilt
IR Range	Max. 10 meters
Material	Top Cover: Plastic; Base: Metal
Dimensions	Φ119.93×87.08 mm (4.7"×3.4")
Weight	500g (1.1 lbs)

Order Models

DS-2CD2F52F-I, DS-2CD2F52F-IS
 -S: Audio/Alarm IO,

Dimension



Camera Accessories



Wall Mount
DS-1294ZJ



Junction box
DS-1280ZJ-PT3

Distributed by



Headquarters

No.555 Qianmo Road, Binjiang District,
Hangzhou 310051, China
T +86-571-8807-5998
overseasbusiness@hikvision.com

Hikvision Poland
T +48-22-460-01-50
poland@hikvision.com

Hikvision USA
T +1-909-895-0400
sales.usa@hikvision.com

Hikvision India
T +91-22-28469900
sales@pramahikvision.com

Hikvision UK
T +44-1628-9021-4
support.uk@hikvision.com

Hikvision Europe
T +31-23-5542770
saleseuro@hikvision.com

Hikvision Italy
T +39-0438-6902
info.it@hikvision.com

Hikvision Singapore
T +65-6684-4718
sg@hikvision.com

Hikvision Middle East
T +971-4-8816086
salesme@hikvision.com

Hikvision France
T +33(0)1-85-330-444
info.fr@hikvision.com

Hikvision Oceania
T +61-2-8599-4233
salesau@hikvision.com

Hikvision Russia
T +7-495-669-67-99
saleru@hikvision.com

Hikvision Spain
T +34-91-737-16-55
info.es@hikvision.com

Hikvision Hong Kong
T +852-2151-1761